



A powerful standard zoom lens for 35 mm full-frame image circle

- 24mm Ultra-Wide-angle
- Bright lens: constant F2.8 aperture
- HD Coating to optimize light transmittance and minimize reflection
- Weather Resistant construction against humidity and dust
- Quiet and fast Supersonic Direct-drive Motor (SDM) to capture subjects in motion
- Rounded aperture to offer beautiful Bokeh effect
- Quick-shift Focus System to instantly change the AF mode to MF by twisting the focus ring

Focal Length	24-70mm
(in 35mm format equivalent)	37-107mm
Maximum Aperture	2,8
Minimum Aperture	22
Lens Construction	17 elements in 12 groups
Angle of View	61° - 23° (when attached to PENTAX digital SLR cameras) 84° - 34.5° (when attached to PENTAX 35mm SLR cameras)
Mount	KAF3
Minimum Focusing Distance	0.38m
Maximum Magnification	0.20x
Filter Diameter	82mm
Diaphragm Control	Fully automatic
Number of Diaphragm Blades	9 Rounded aperture (F2.8-F5.6)
Maximum Diameter x Length	Approx. 88.5mm x 109.5mm
Weight	Approx. 787g (with hood approx. 812g)
Others	Soft Case, Lens Hood, Lens Cap, Lens Mount Cap K

**HD PENTAX-D FA
24-70MM F/2.8 ED SDM WR**

	Art. Code	EAN
HD PENTAX-D FA 24-70MM F/2.8 ED SDM WR	21310	027075293557

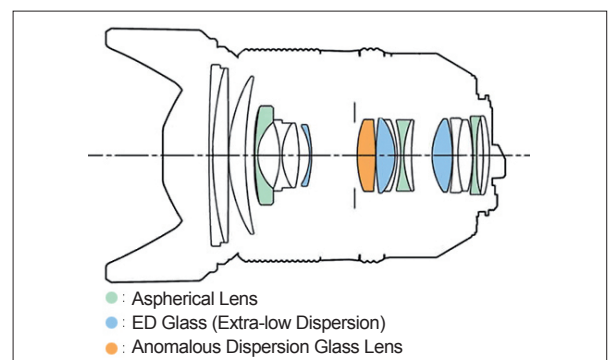
INCLUDED ACCESSORIES

- LENS HOOD PH-RBD82 - 37753
- LENS CAP O-LC82 - 31830
- LENS MOUNT CAP K - 31006
- LENS SOFT CASE S120-150 - 37727

OPTIONAL ACCESSORIES



PENTAX LENS PEN - 50166





HD PENTAX-D FA

24-70MM F/2.8 ED SDM WR

When mounted on a 35mm-format full-frame DSLR (currently under development), this large-aperture standard zoom lens covers a focal-length range from 24mm ultra-wide-angle to 70mm standard,* and provides a maximum aperture of F2.8 over the entire zoom range. By incorporating three ED (Extra-low Dispersion) optical elements and four aspherical optical elements, it ensures sufficient light levels even at the edges of the image field and minimizes various aberrations to deliver fine-detailed, high contrast and high resolution images. The built-in SDM (Supersonic Direct-drive Motor) also provides a quiet, high-speed autofocus operation.

Main Features

Exceptional imaging power

Consisting of 17 elements in 12 groups, this new lens features three ED (Extra-low Dispersion) optical elements, one anomalous-dispersion-glass aspherical optical element and three aspherical optical elements to compliment super-high-resolution image sensors. By delivering sufficient light even at the edges and minimizing aberrations, this zoom lens provides a high MTF (Modulation Transfer Function) for finely-detailed high contrast, high resolution images. When mounted on a current PENTAX K-series camera body, it uses only the central area of the image circle to deliver high-resolution images with uniform detail.

Large-aperture standard zoom lens

When mounted on a 35mm-format full-frame DSLR, this lens offers a zoom ratio of approximately 2.9 times from ultra-wide-angles to standard zoom ranges (24mm to 70mm in focal length). It provides a maximum aperture of F2.8 over the entire zoom range to deliver brilliant images. It not only covers the most common focal-length range, but also provides ultra-wide-angle coverage to produce distinctive visual results, such as exaggerated perspectives or extra-wide depths of field; this makes it very useful with subjects such as sweeping landscapes and shallow indoor scenes. When mounted on a current K-series DSLR, it provides focal lengths from 37mm to 107mm in the 35mm format to cover wide-angle to medium-telephoto ranges. Its large maximum aperture not only creates an excellent bokeh effect on the background for beautiful portraits, but also allows the photographer to handhold the camera for poorly lit subjects, such as sunsets or indoor scenes.

Built-in SDM (Supersonic Direct-drive Motor)

Thanks to the incorporation of a new-generation SDM (Supersonic Direct-drive Motor), this zoom lens ensures quiet, high-speed autofocus operation, allowing the photographer to react swiftly to all types of photographic opportunities.

Weather-resistant construction

This lens features a dependable weather-resistant construction with special seals to effectively prevent water reaching the inside of the lens. Pairing it with a weather-resistant PENTAX DSLR, provides a durable, dependable digital imaging system that performs superbly in demanding shooting conditions or locations, where the weather or indeed water, would normally cause problems.

HD Coating to improve image description

The lens is treated with high-grade, multi-layer HD Coating.* Compared with conventional multi-layer coatings, this PENTAX-original coating assures higher light transmittance and less reflection to deliver bright, high-contrast images free of flare and ghost images, even in demanding lighting situations.

* HD stands for High Definition.

Quick-Shift Focus system

The lens comes equipped with the PENTAX-developed Quick-Shift Focus system, which allows the user to instantly switch to manual-focus operation after the subject is captured in focus by the camera's AF system.

Other features

- Rounded diaphragm to produce a smooth, beautiful bokeh effect, while minimizing the streaking effect of point light sources.
- Zoom lock lever to prevent the accidental extension of the lens barrel when pointed downwards.